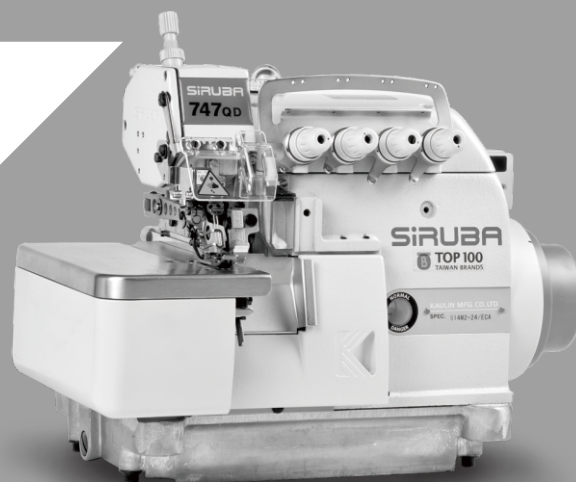


SIRUBA[®] Sew Reach

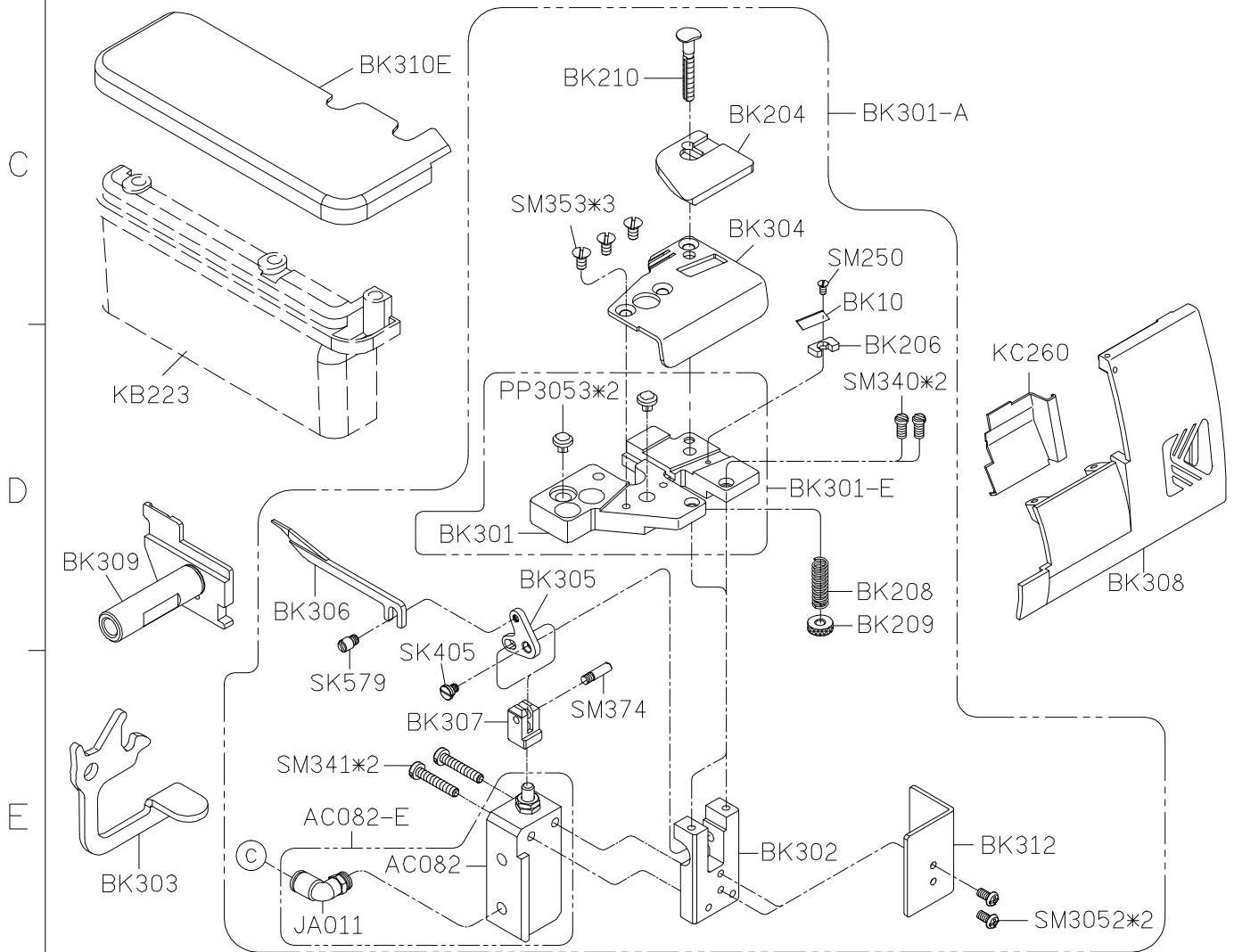
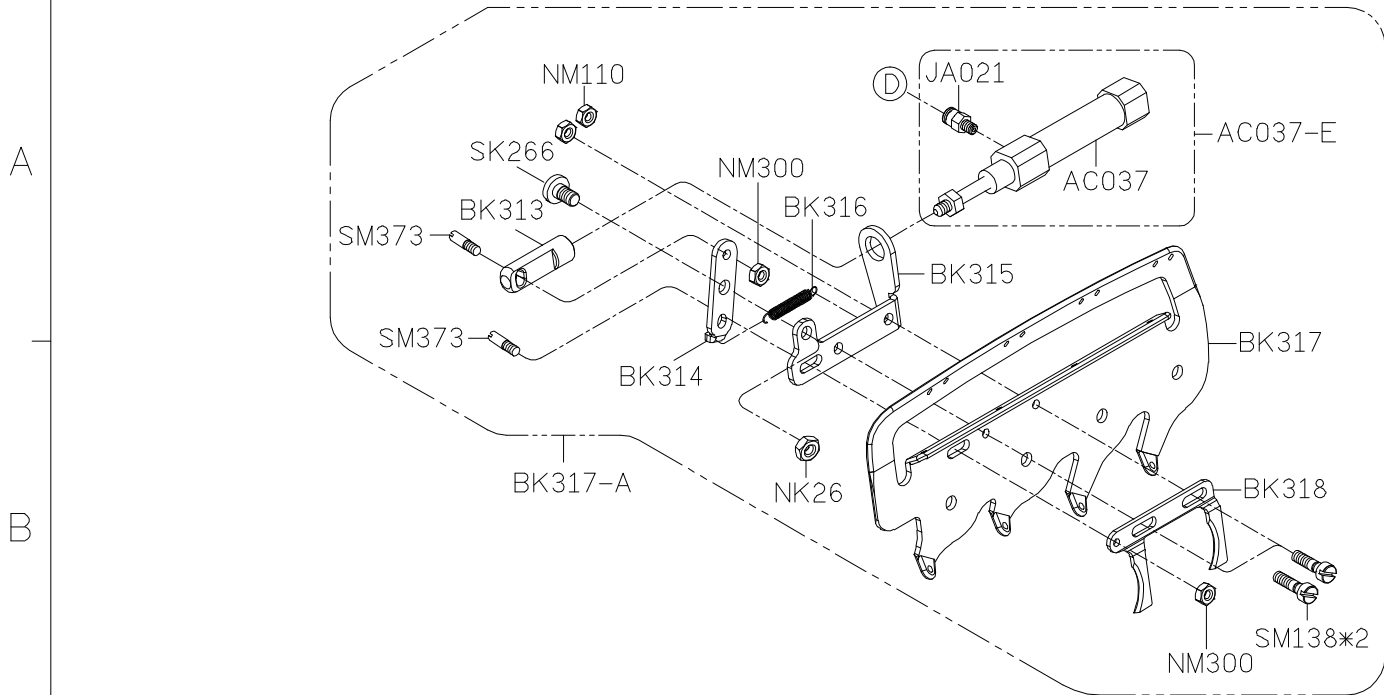
輔助件
ATTACHMENT PARTS LIST

■ 700QD



From the library of: Diamond Needle Corp

CE



1

2

3

4

5

SIRUBA

PARTS LIST

Series

700QD/988QD

Parts Group

BKS

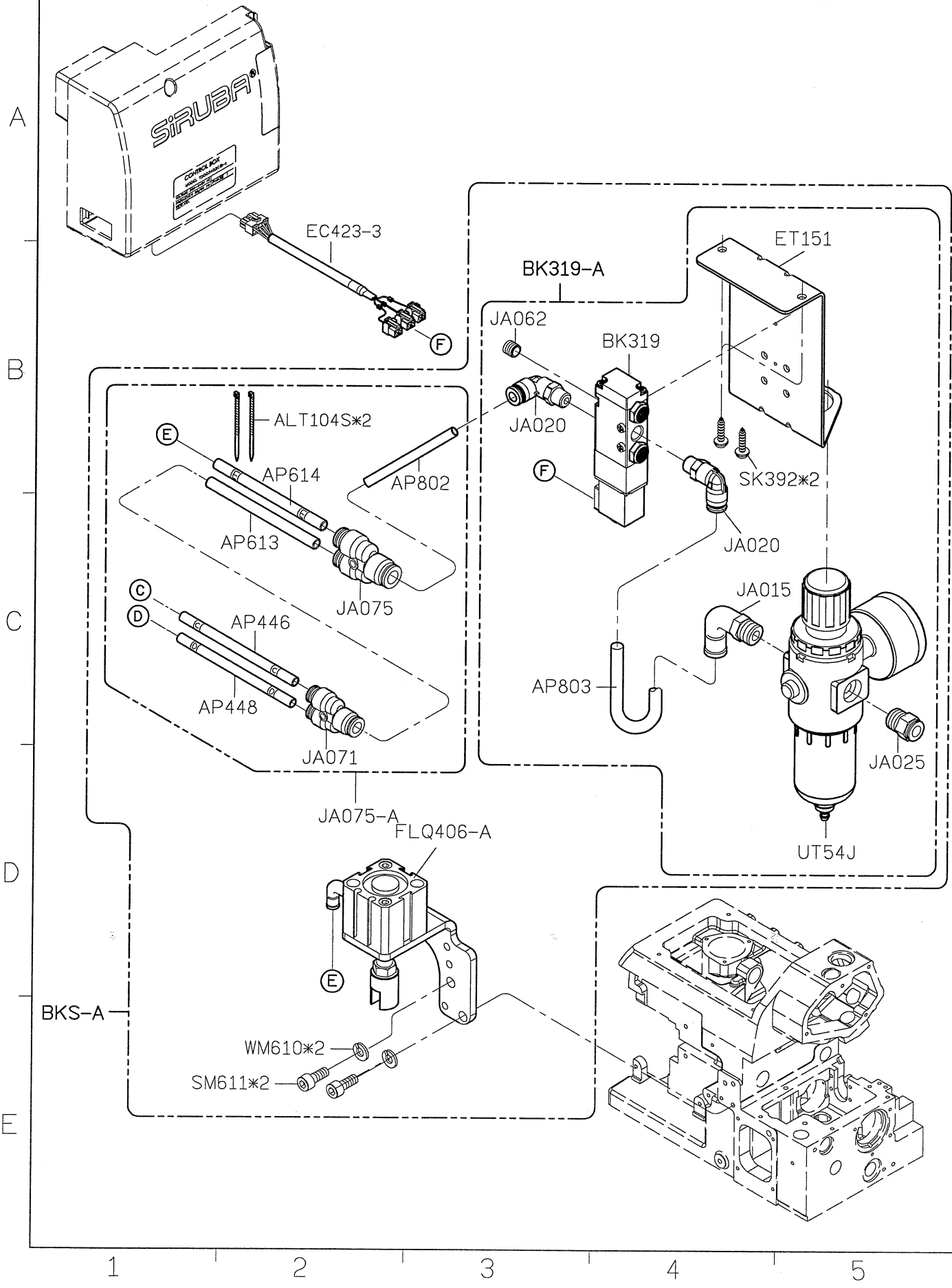
Subclass / Remark

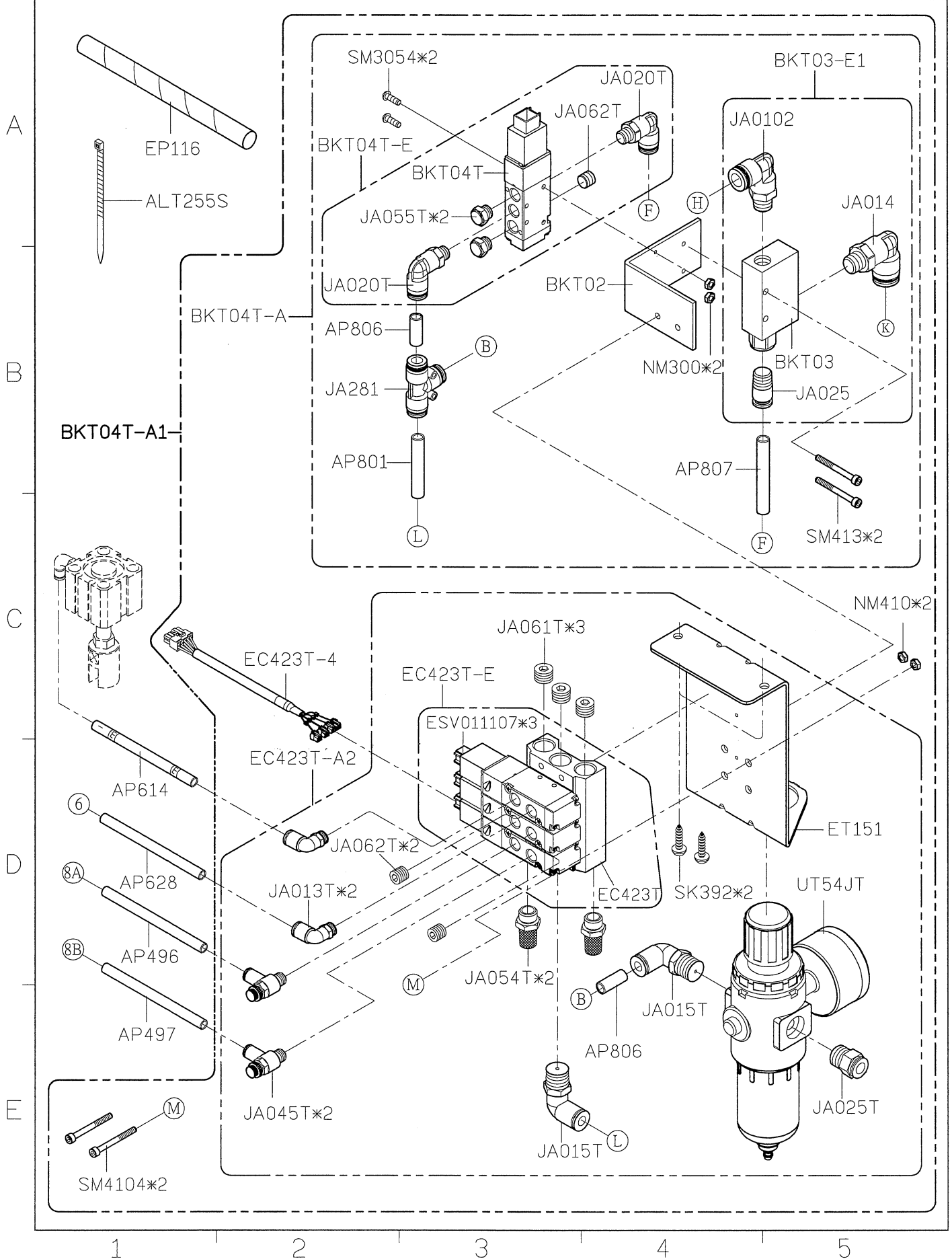
Page

2/2

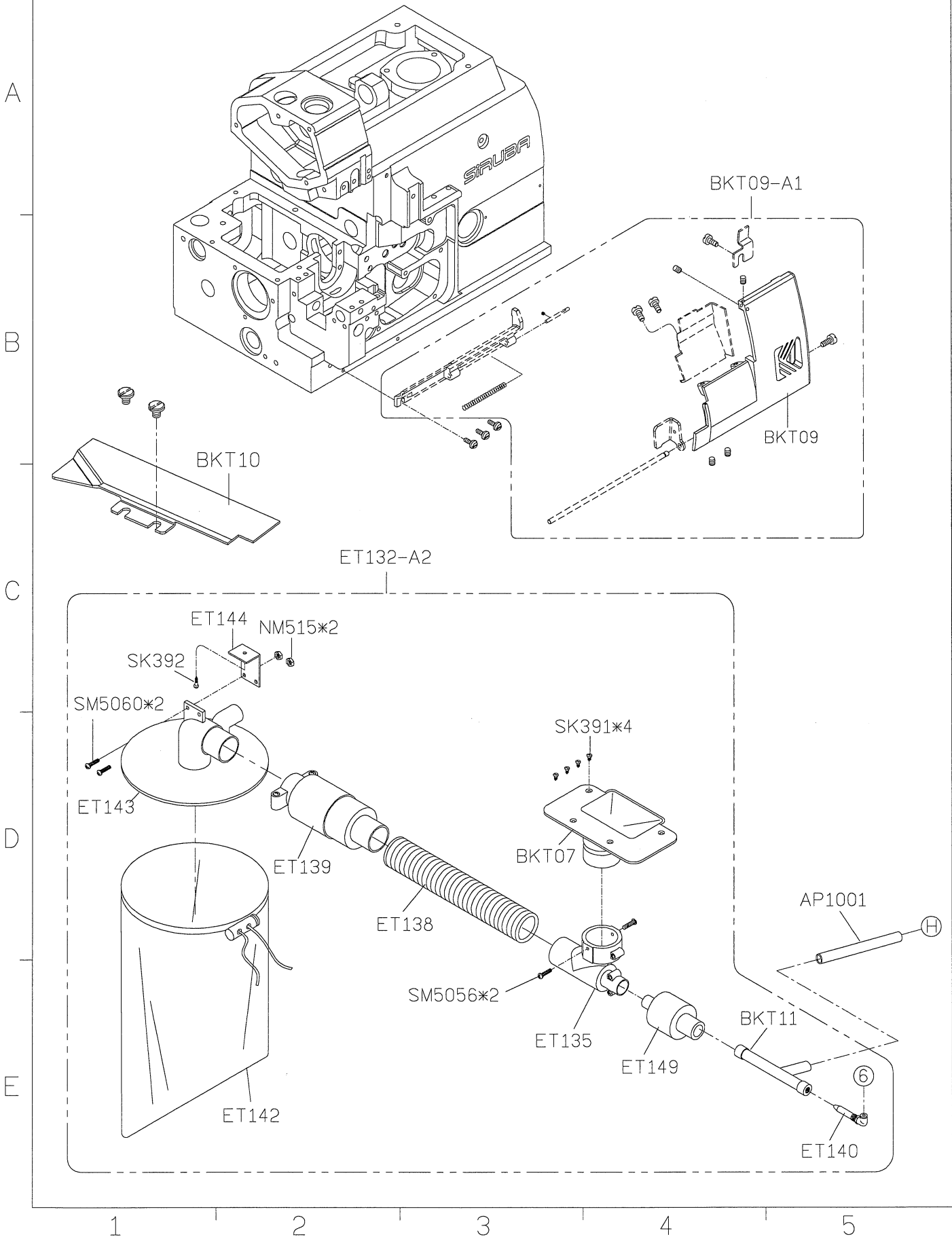
Date

2016/02/18





SIRUBA PARTS LIST	Series	Parts Group	Subclass / Remark	Page
	700QD/988QD	BKT	FOR ECB-QD	2/4
				Date
				2018/9/10



SIRUBA

PARTS LIST

Series

700QD/988QD

Parts Group

BKT

Subclass / Remark

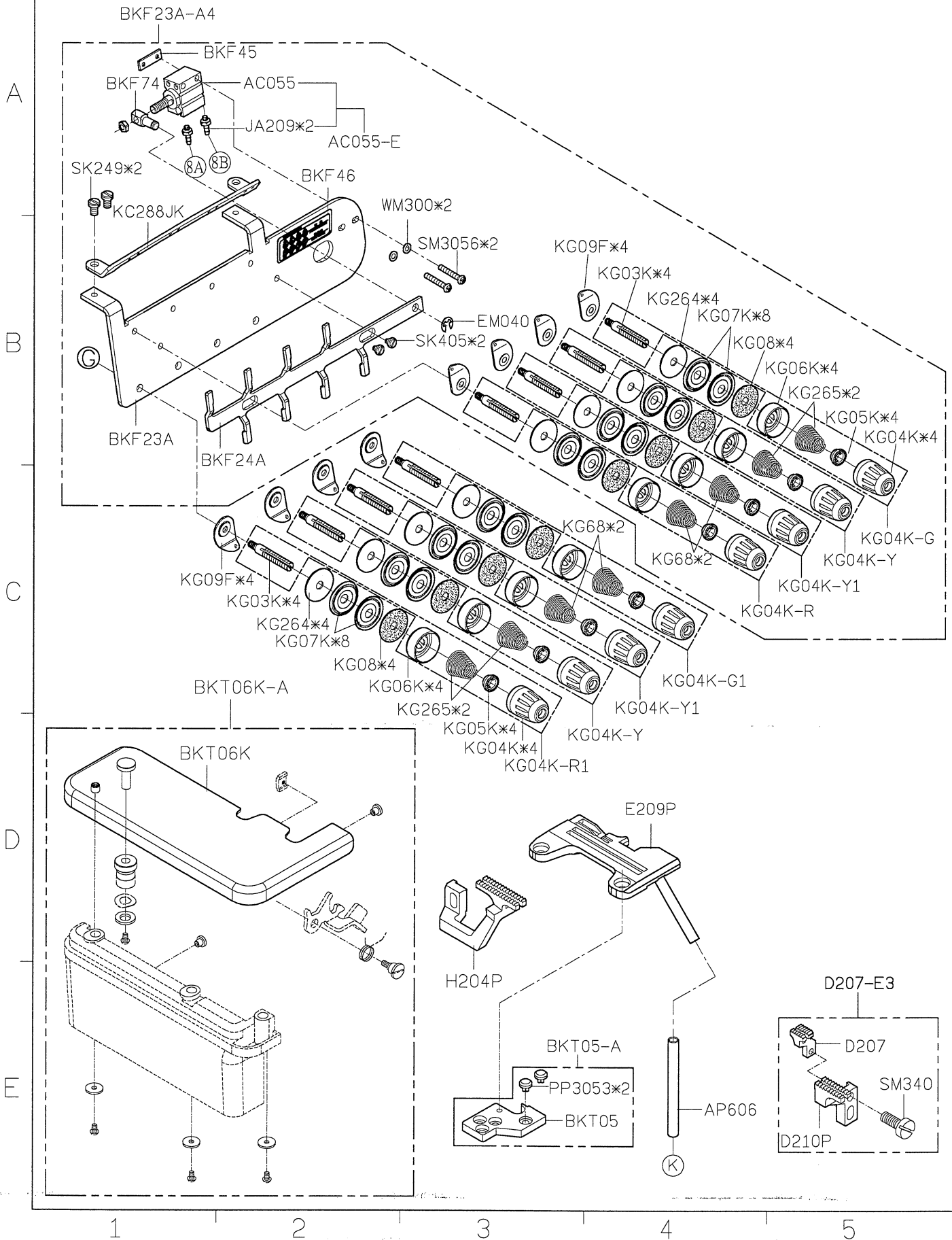
FOR ECB-QD

Page

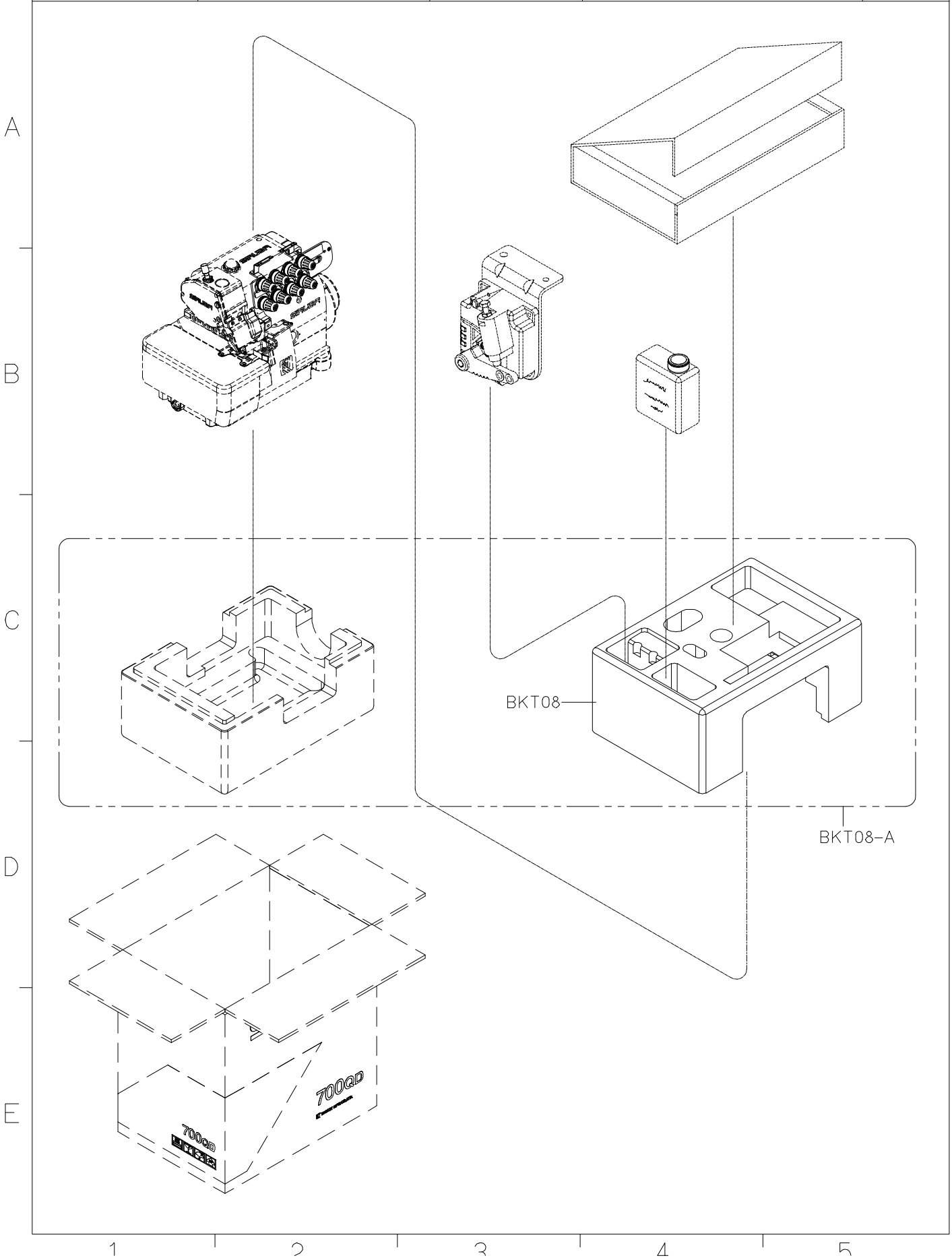
3/4

Date

2018/02/12



SIRUBA PARTS LIST	Series	Parts Group	Subclass / Remark	Page
	700QD/988QD	BKT	FOR ECB-QD	4/4
				Date
				2015/3/17



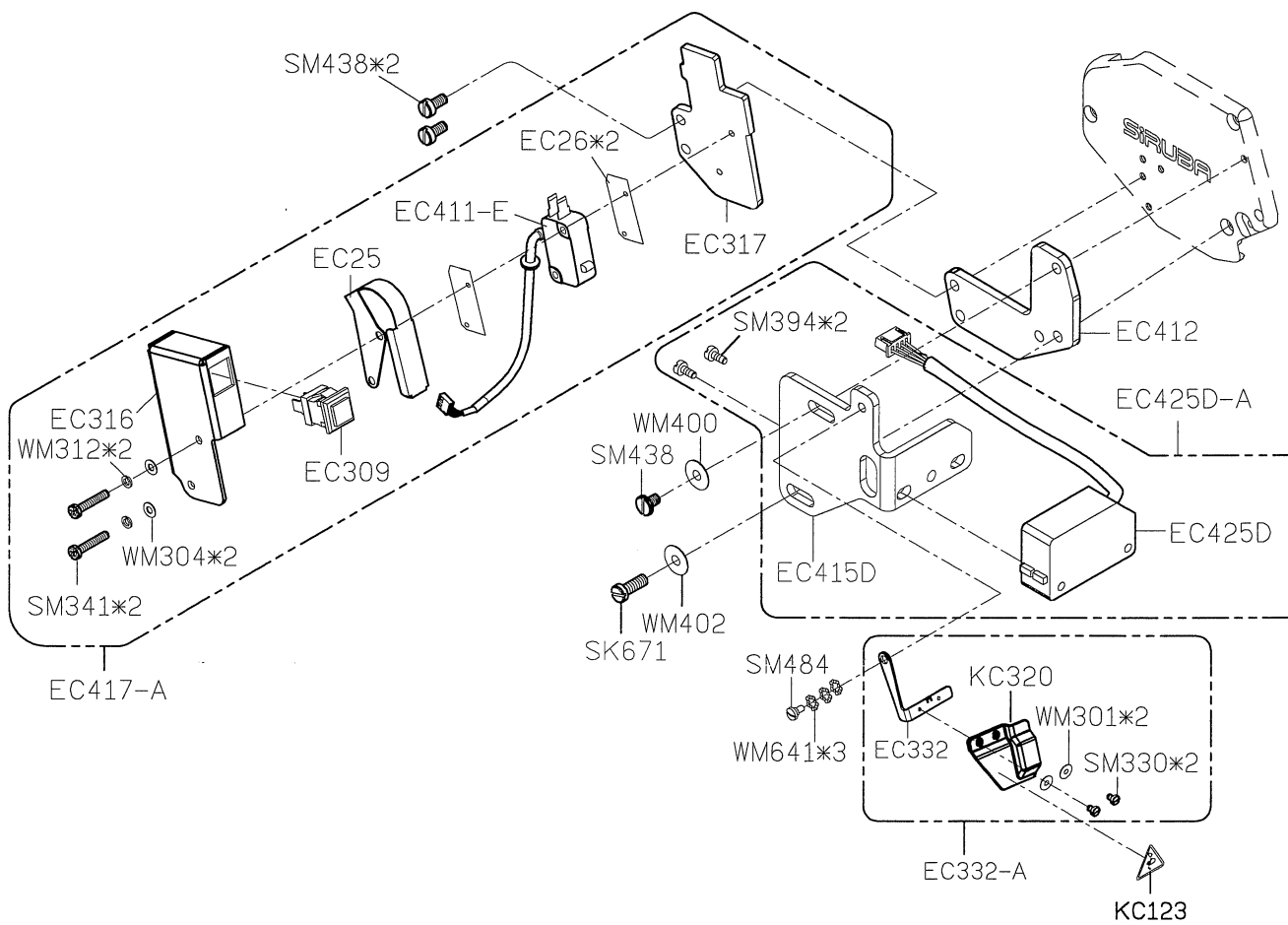
A

B

C

D

E



1

2

3

4

5

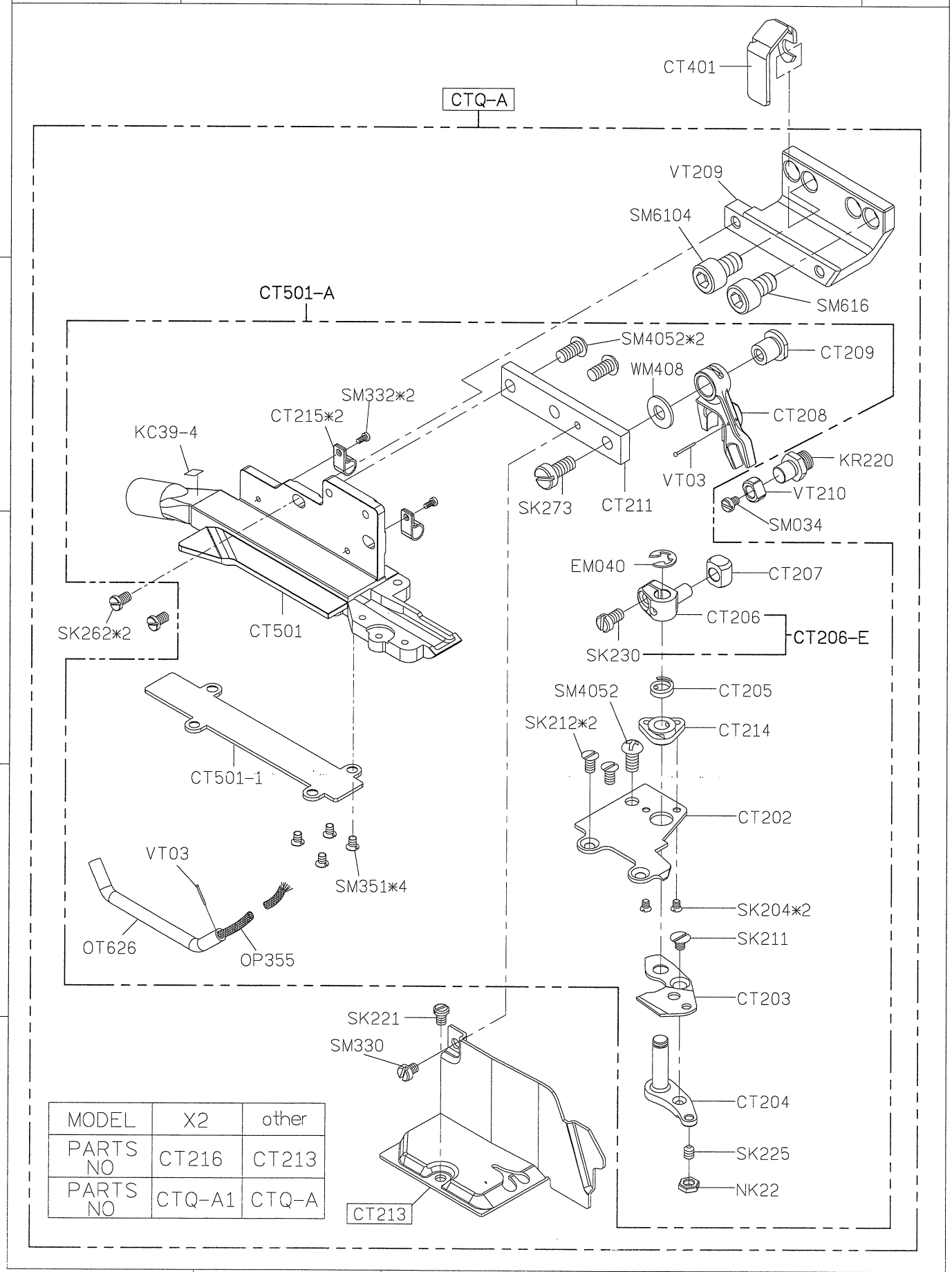
A

B

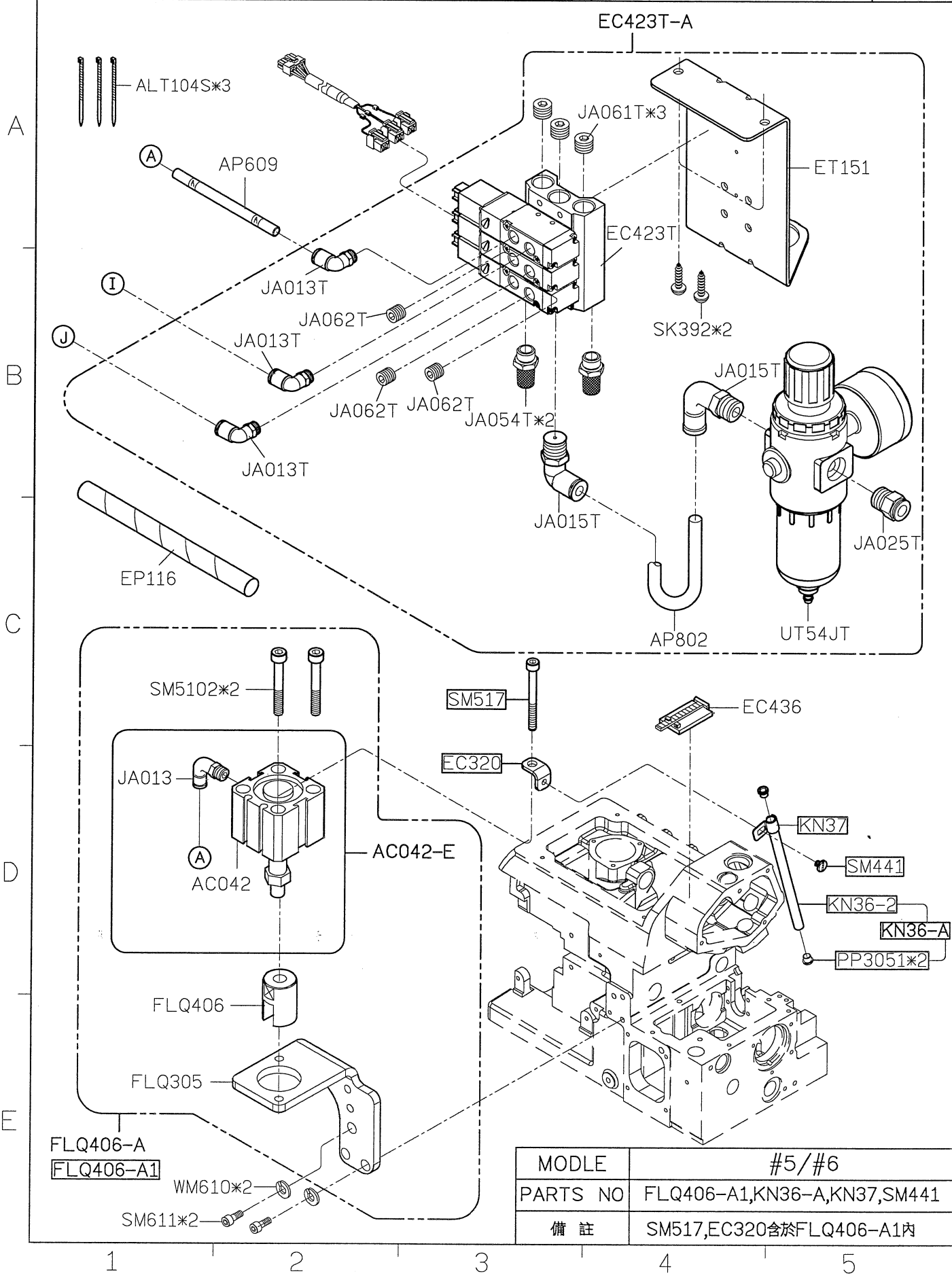
C

D

E

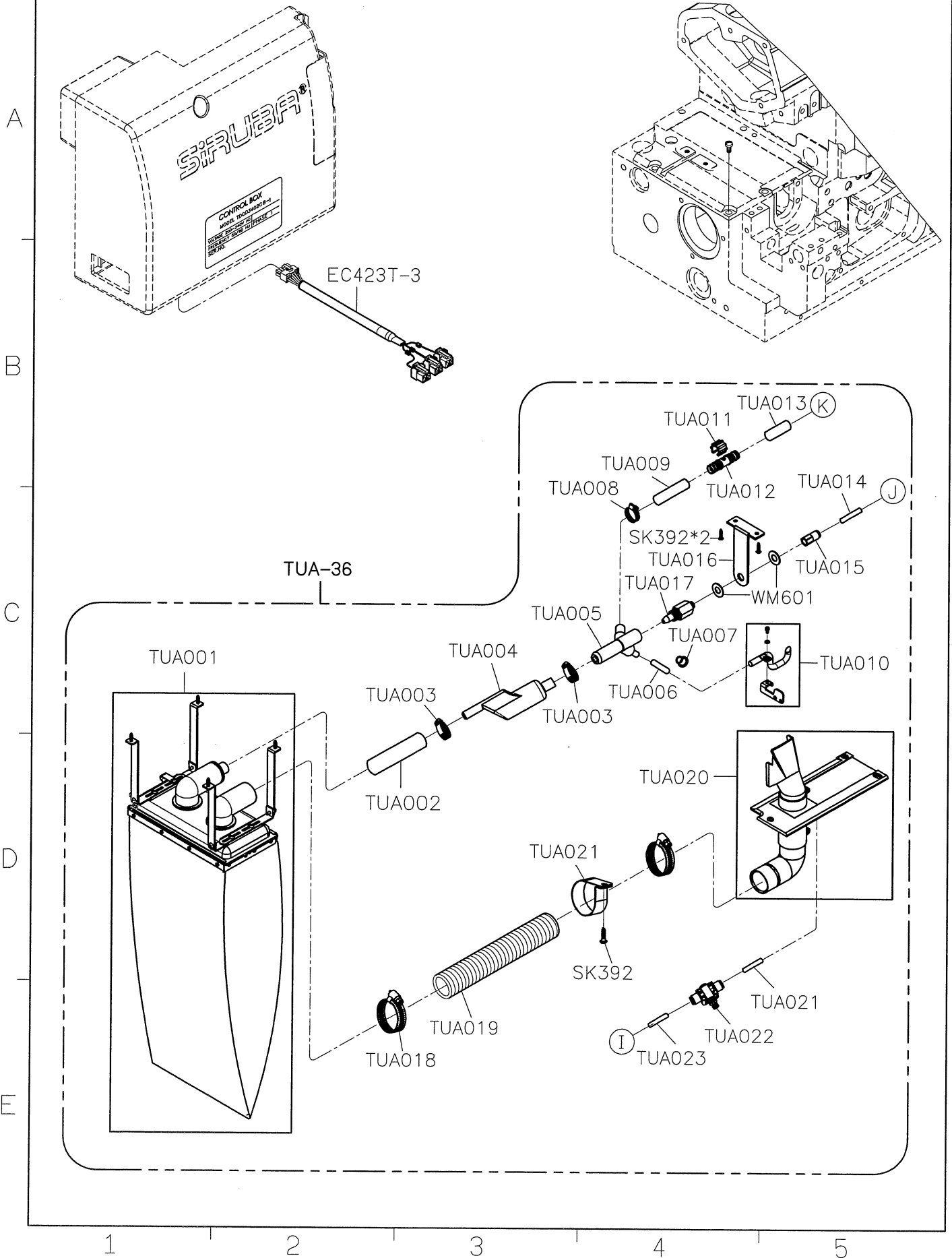


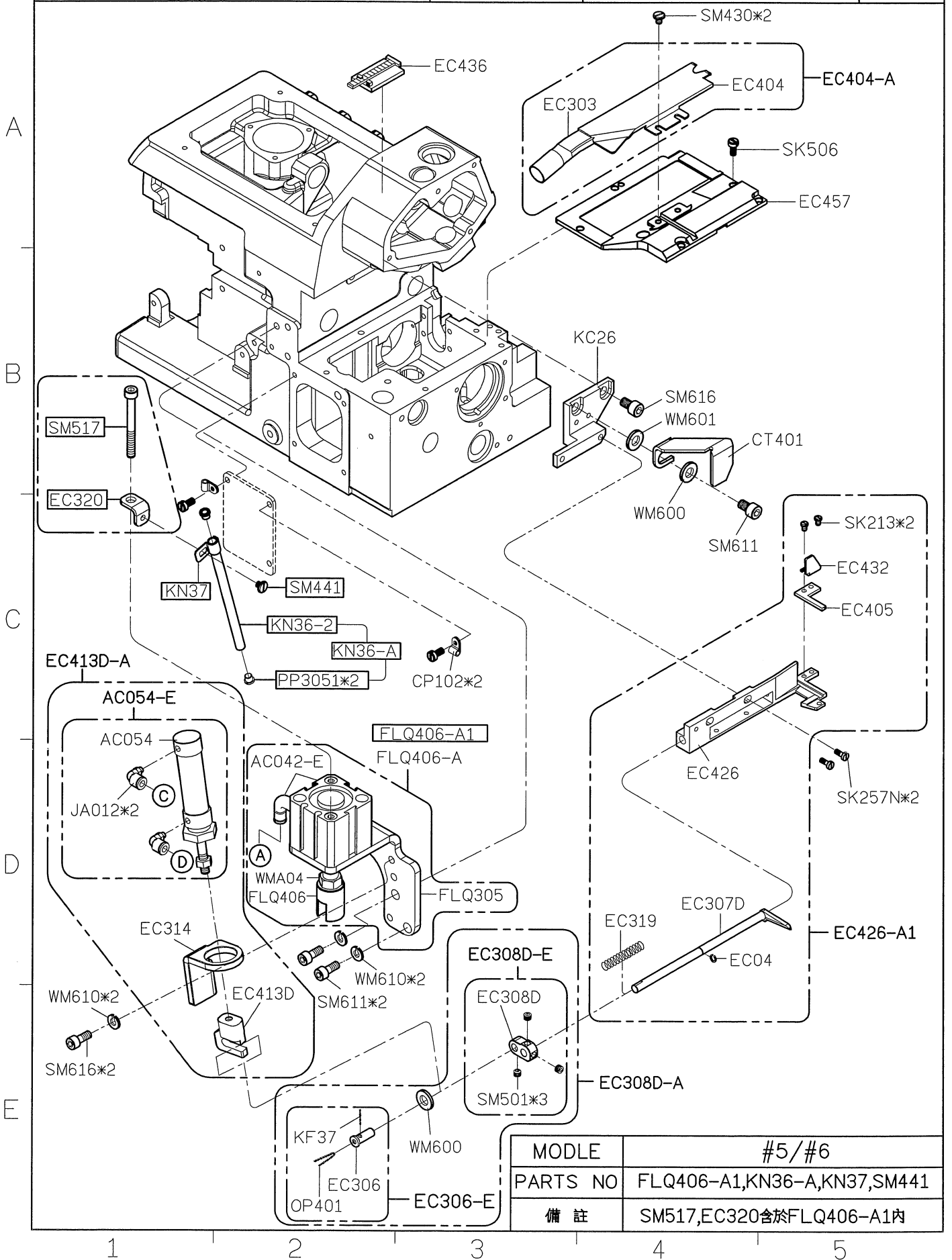
MODEL	X2	other
PARTS NO	CT216	CT213
PARTS NO	CTQ-A1	CTQ-A

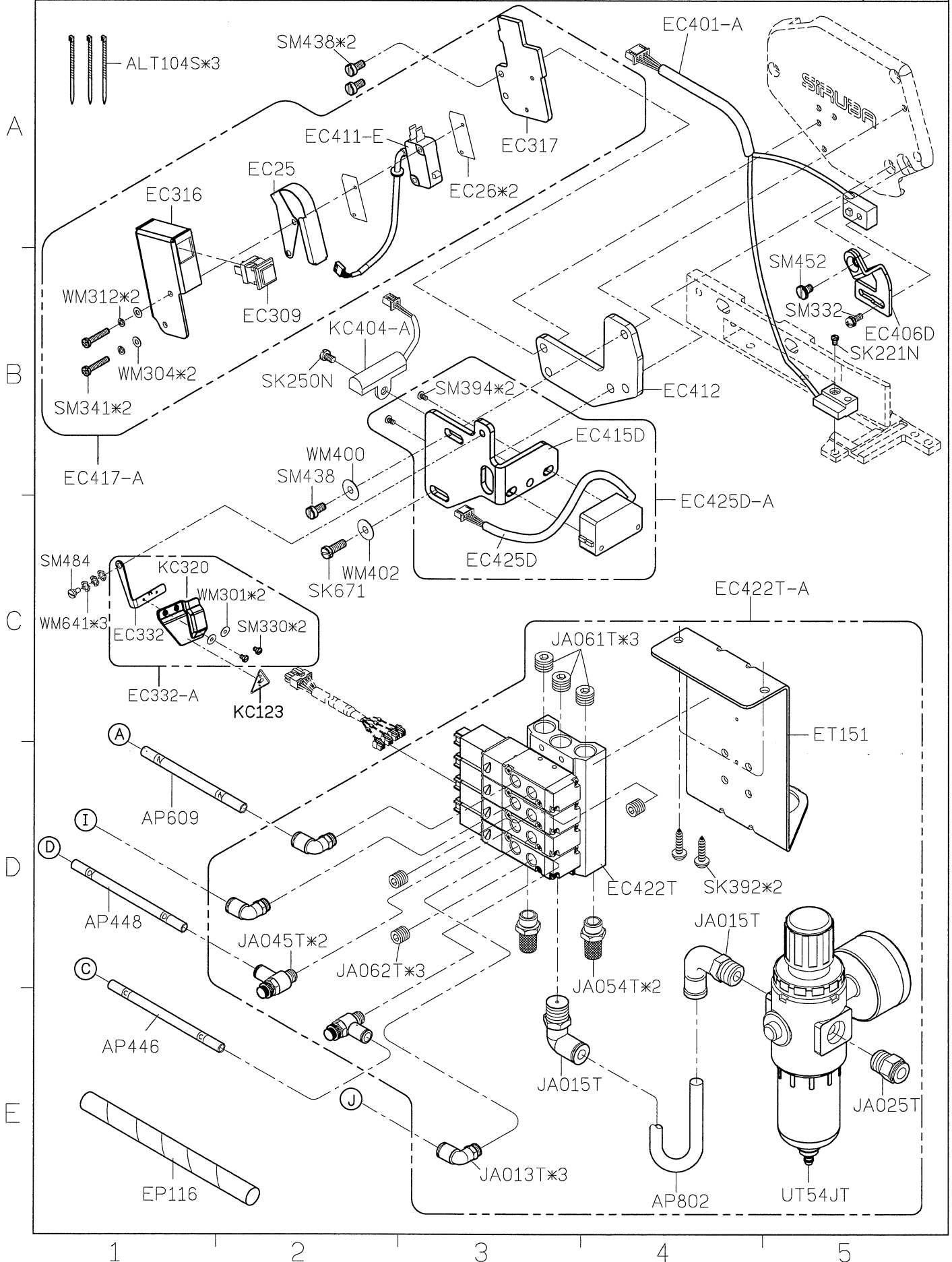


MODLE	#5/#6
PARTS NO	FLQ406-A1,KN36-A,KN37,SM441
備註	SM517,EC320含於FLQ406-A1内

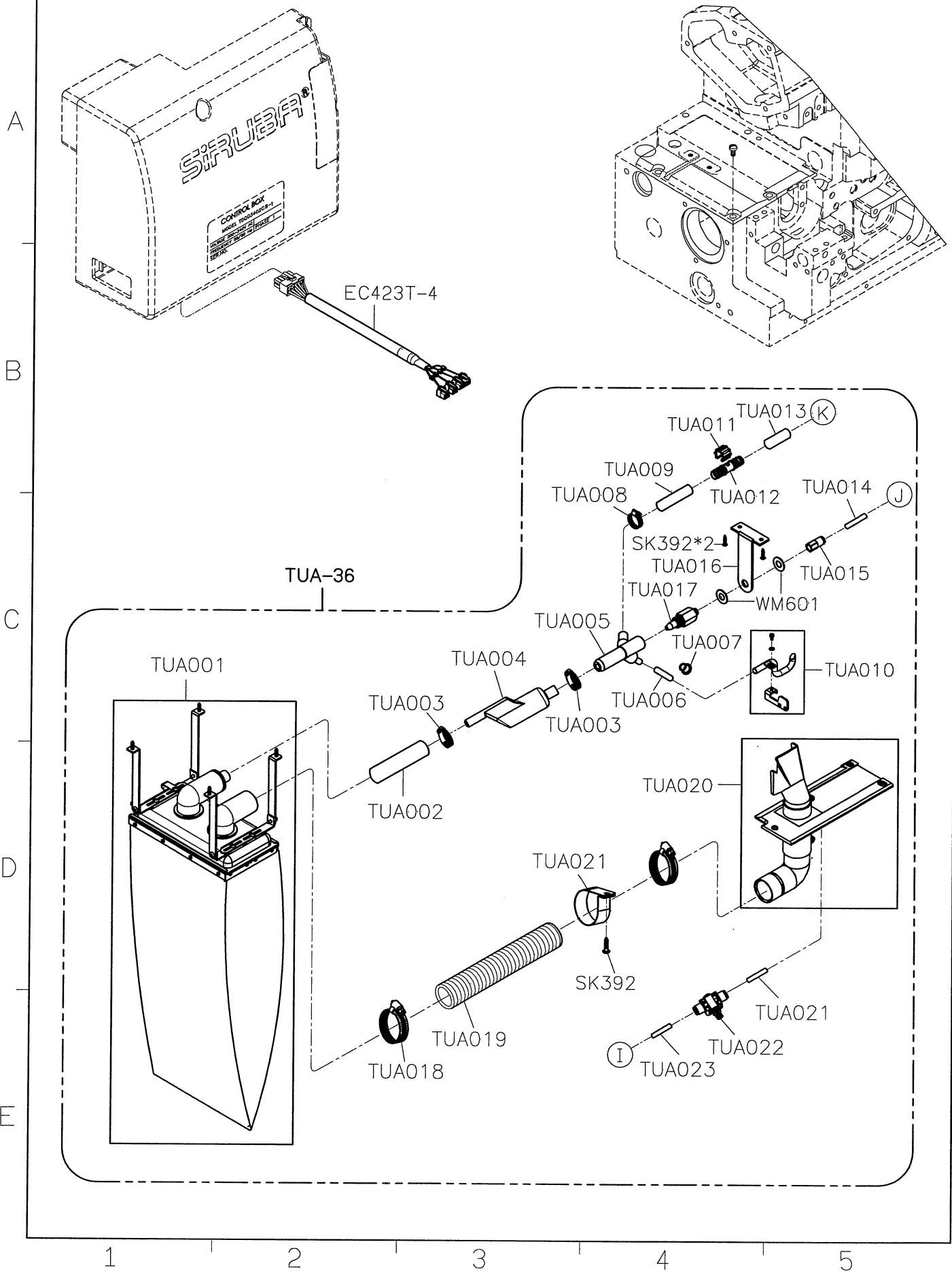
SIRUBA PARTS LIST	Series	Parts Group	Subclass / Remark	Page
	700QD/988QD	CTE-QD		4/4
				Date
				2016/12/21



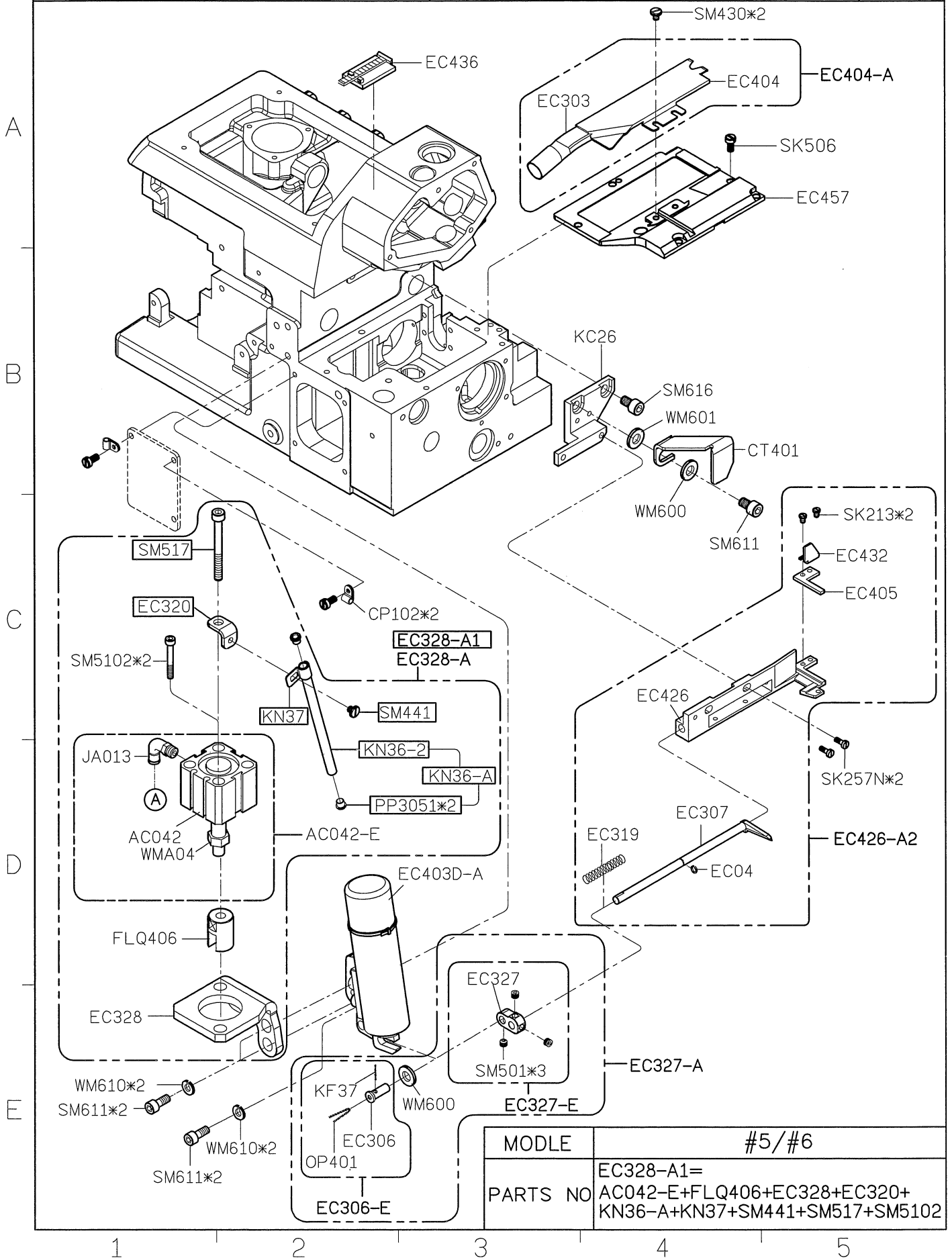


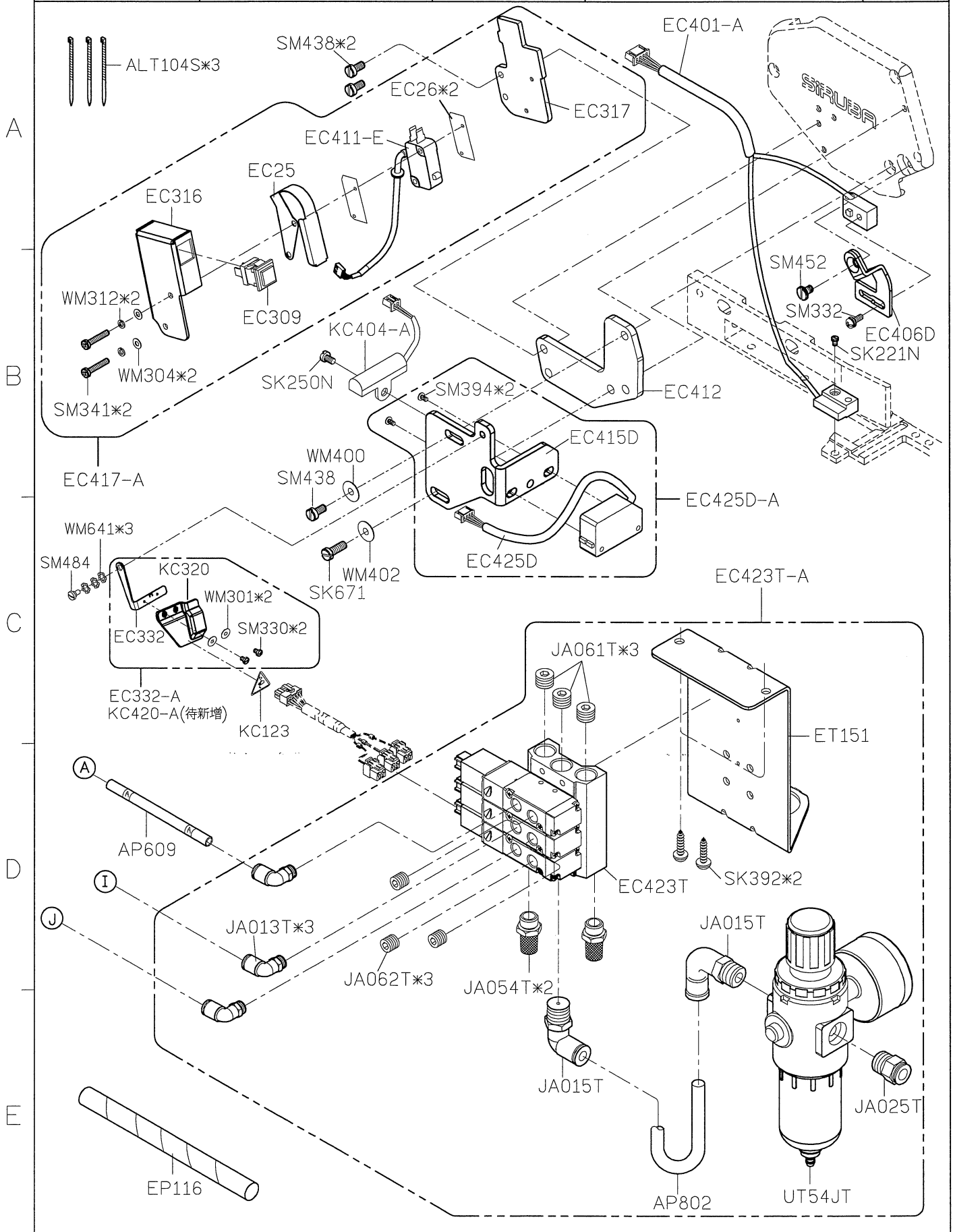


SIRUBA PARTS LIST	Series	Parts Group	Subclass / Remark	Page
	700QD/988QD	ECA-QD		3/3
				Date
				2016/8/11

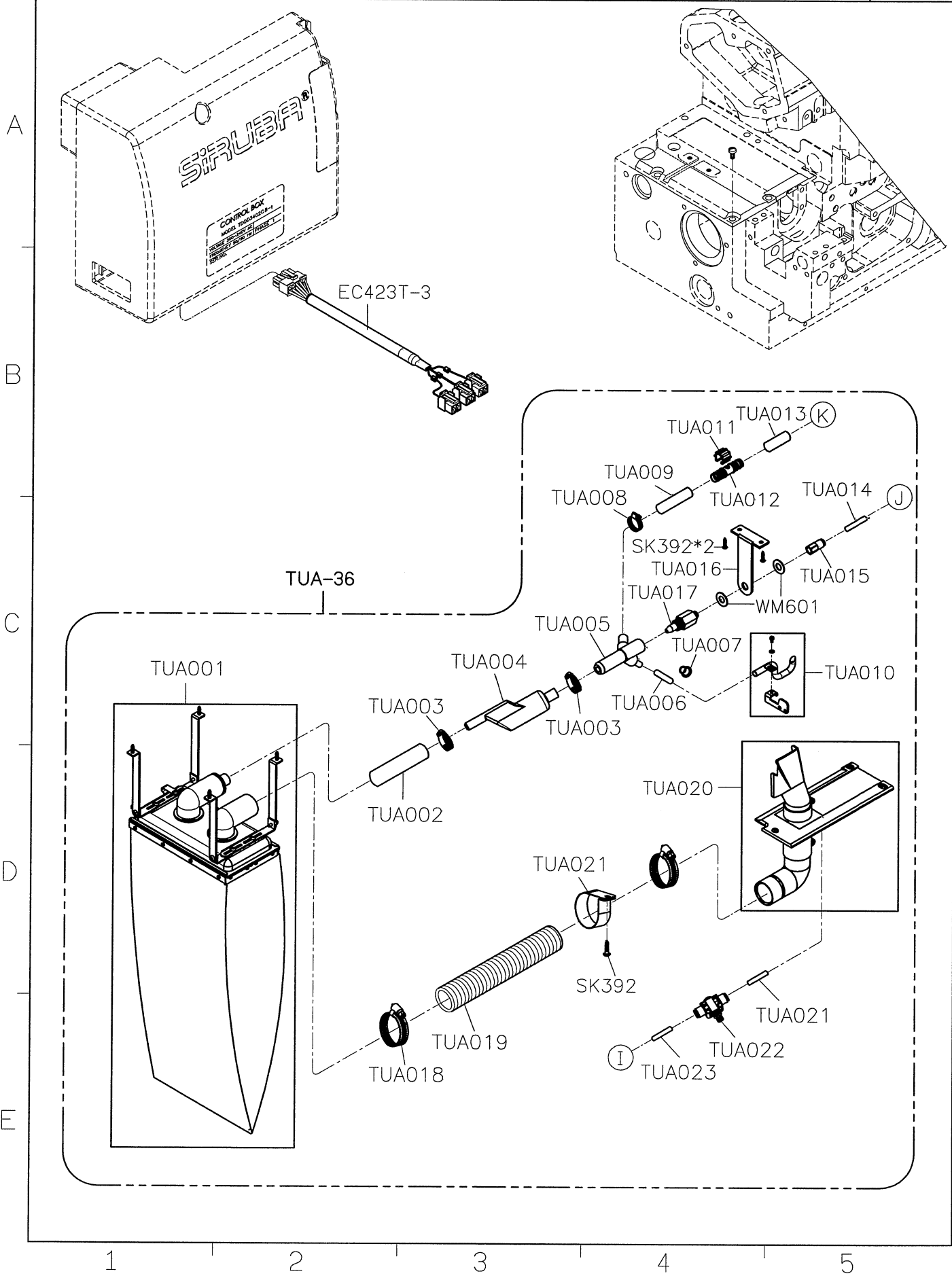


SIRUBA PARTS LIST	Series	Parts Group	Subclass / Remark	Page
	700QD/988QD	ECB-QD		1/3
				Date 2017/06/03

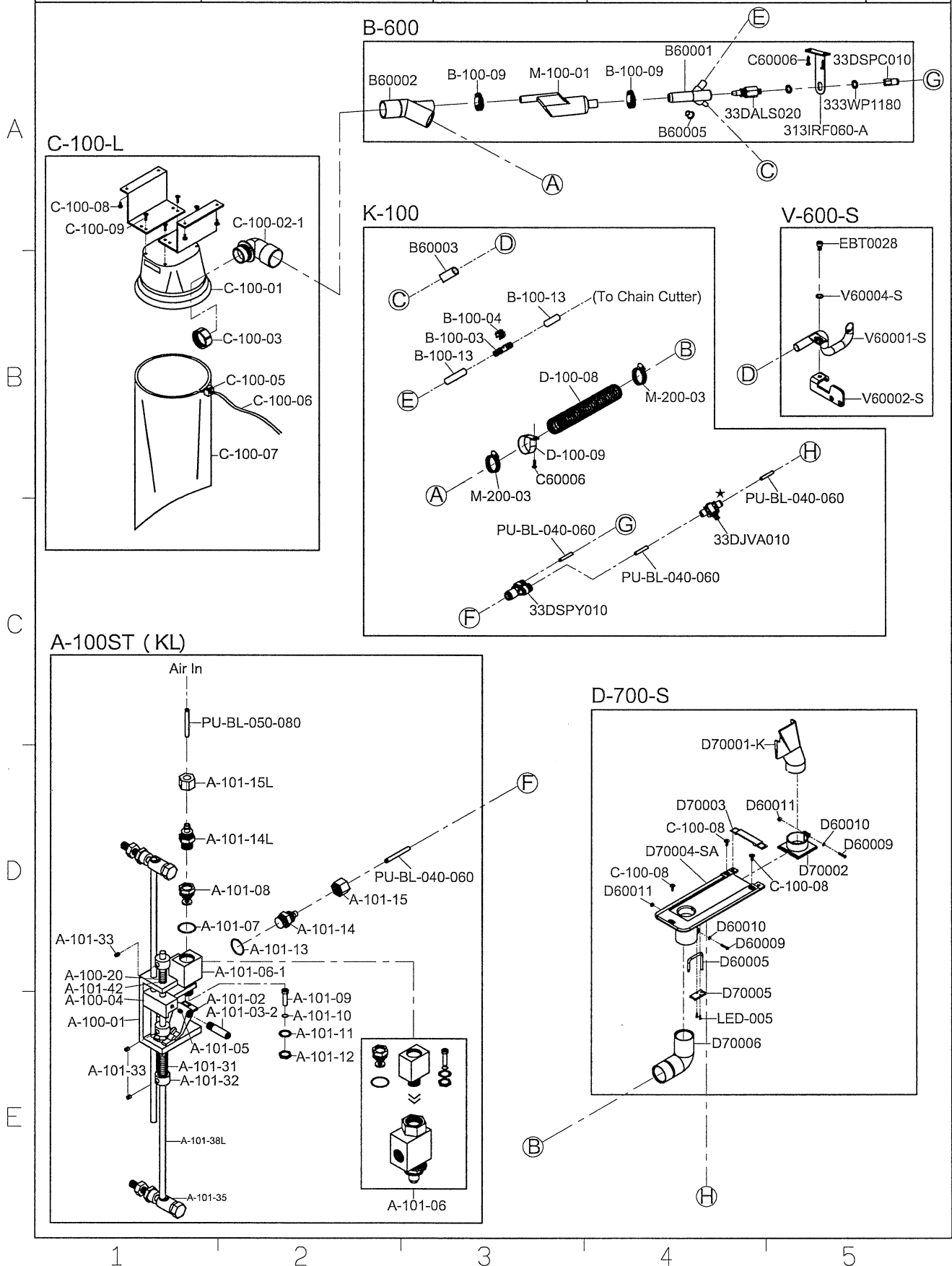




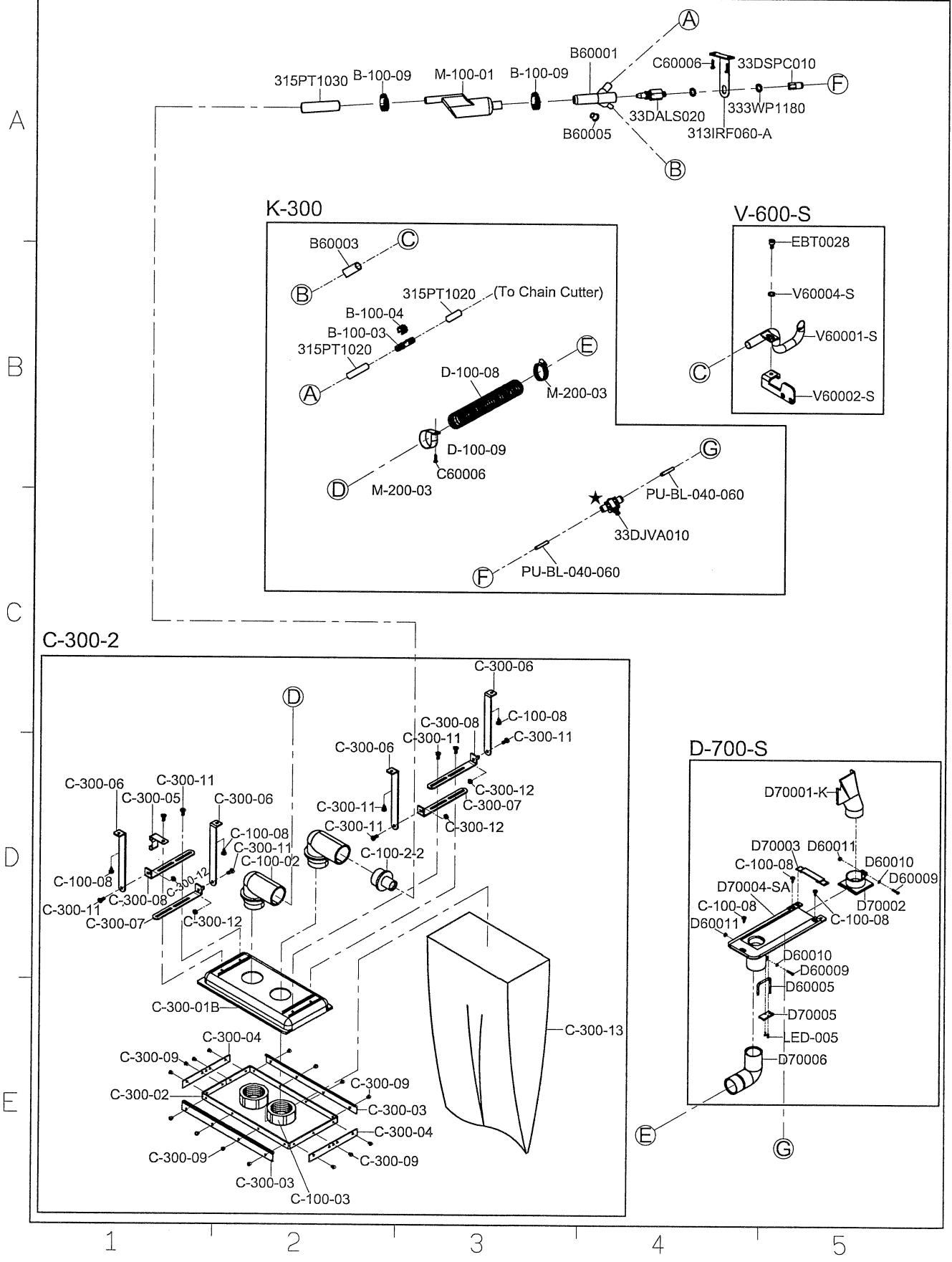
SIRUBA PARTS LIST	Series	Parts Group	Subclass / Remark	Page
	700QD/988QD	ECB-QD		3/3
				Date 2016/8/11

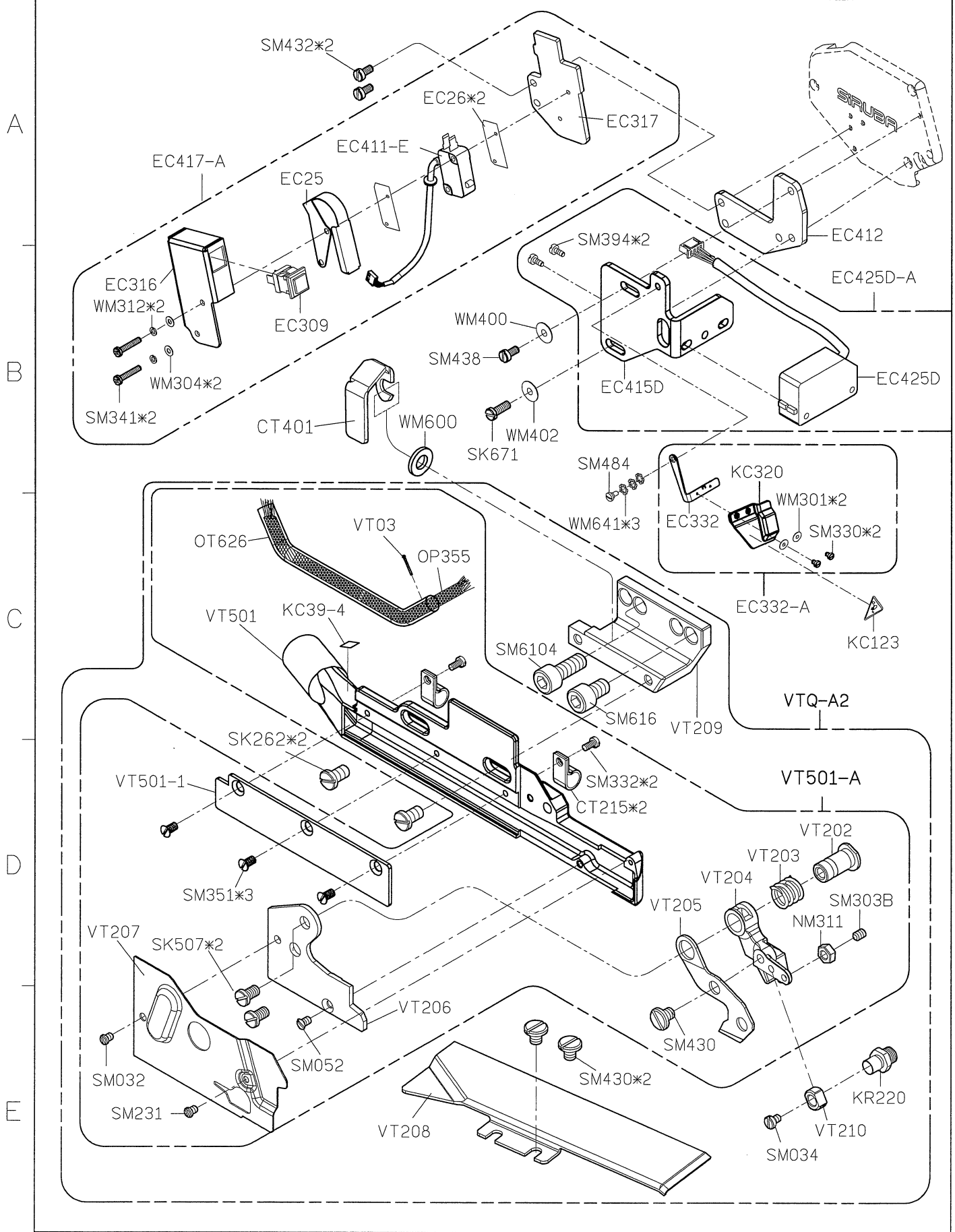


SIRUBA PARTS LIST	Series	Parts Group	Subclass / Remark	Page
	拷克 Overlock	TUA-31	Note 註記: 1) ★ Before installation, please check one side is Air IN, another side is Air OUT. 2) 空氣有效使用壓力 Effective air pressure: 4~6 kg/cm 3) 請適度修剪管子長度, 以達到風力最佳效能。	1/1 Date 2016/11/02



SIRUBA PARTS LIST	Series	Parts Group	Subclass / Remark	Page
	700QD	TUA-36	Note 註記: 1) ★ Before installation, please check one side is Air IN, another side is Air OUT. 2) 空氣有效使用壓力 Effective air pressure: 4-6 kg/cm 3) 請適度修剪管子長度，以達到風力最佳效能。	1/1 Date 2016/11/02





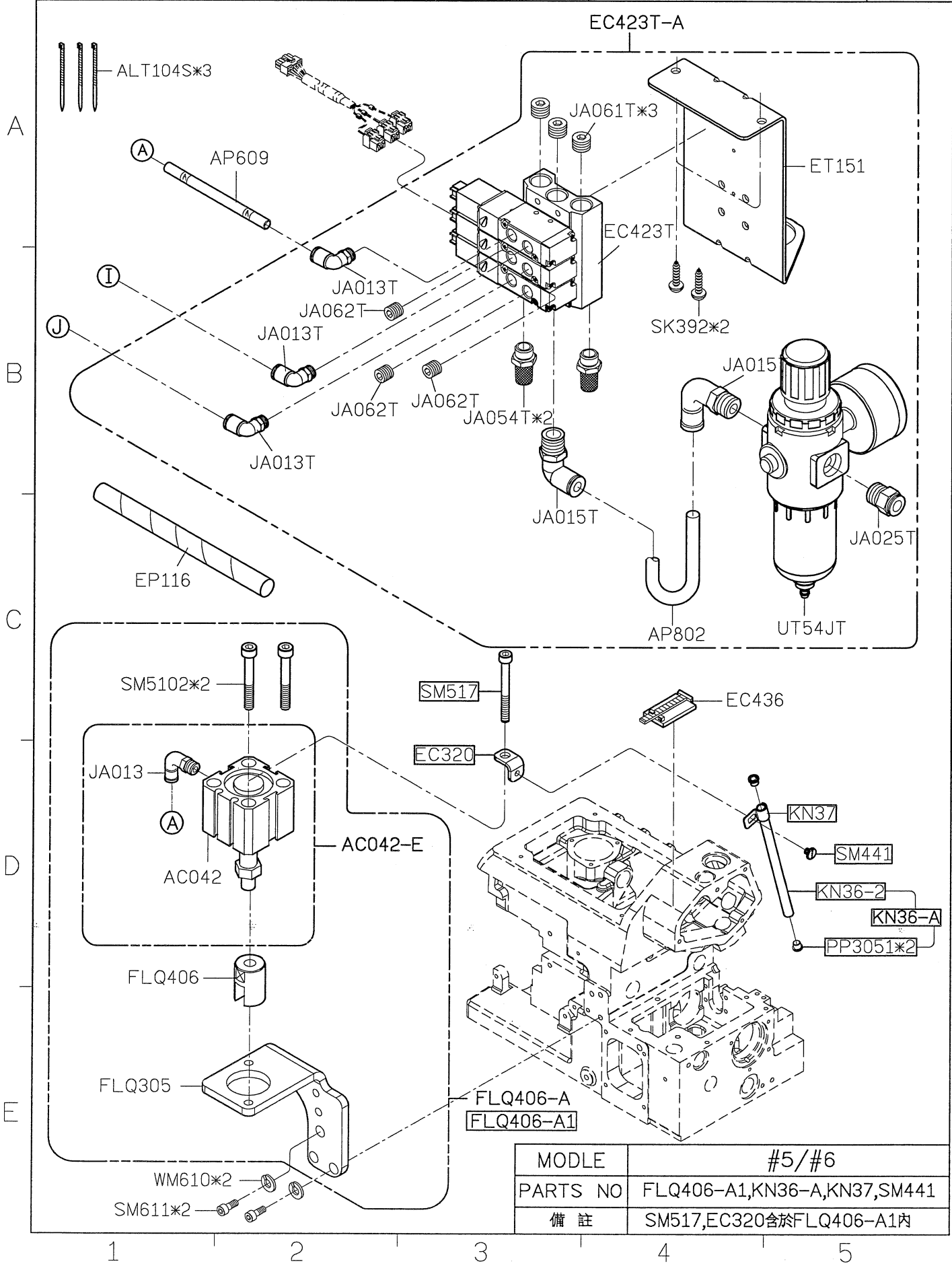
1

2

3

4

5



MODLE	#5/#6
PARTS NO	FLQ406-A1,KN36-A,KN37,SM441
備註	SM517,EC320含於FLQ406-A1内

SIRUBA

PARTS LIST

Series

700QD/988QD

Parts Group

VTE-QD

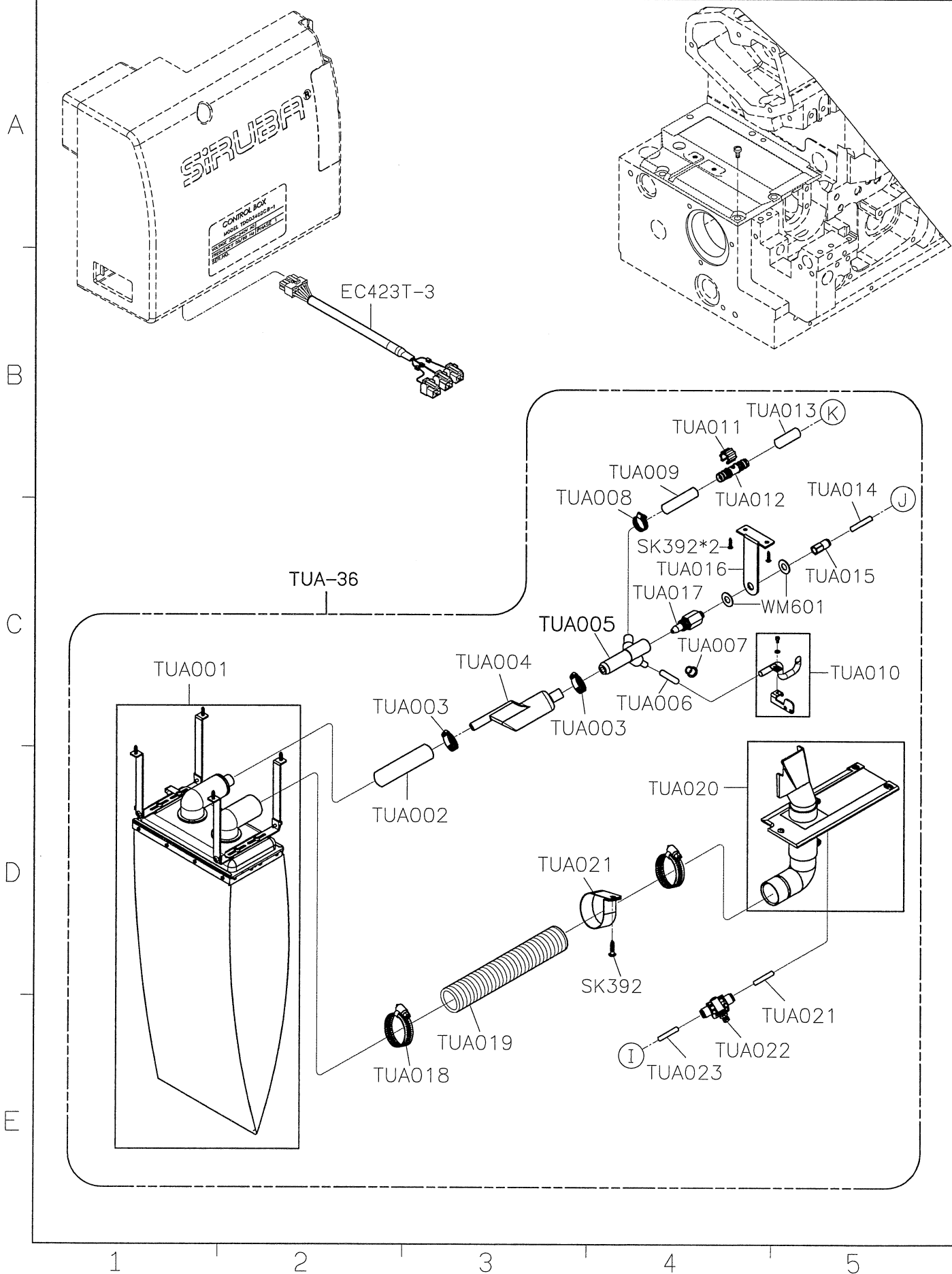
Subclass / Remark

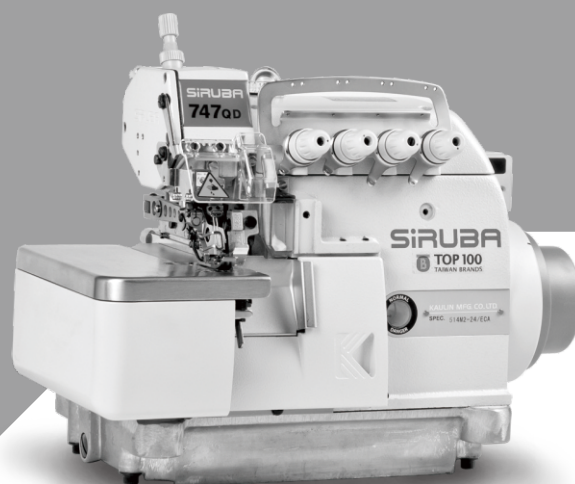
Page

3/3

Date

2017/1/25





 高林股份有限公司
KAULIN MFG. CO., LTD.

由於對產品的改良及更新,本產品零件圖中之產品及外觀的修改恕不事先通知!
The specification and/or the equipment described in the parts list
are subject to change because of modification with out previous notice
700QD.AUG.2015